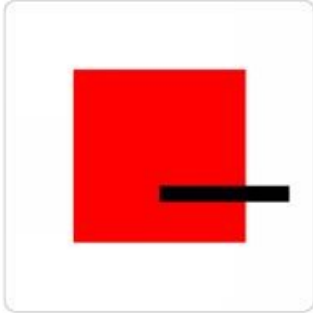


[Subscribe](#)

[Past Issues](#)

[View this email in your browser](#)



INNOVATION

NEW! COOPER MCGRAW-EDISON GALLEON II FLOODLIGHT

The [Galleon II Floodlight](#) delivers high-performance optical control in a scalable platform, utilizing eight NEMA type flood optics and a host of mounting options to solve even the most difficult design challenges. Pristine color rendering and color-over-angle performance set the standard for lighting quality, providing stunning results on every project.



Subscribe

Past Issues



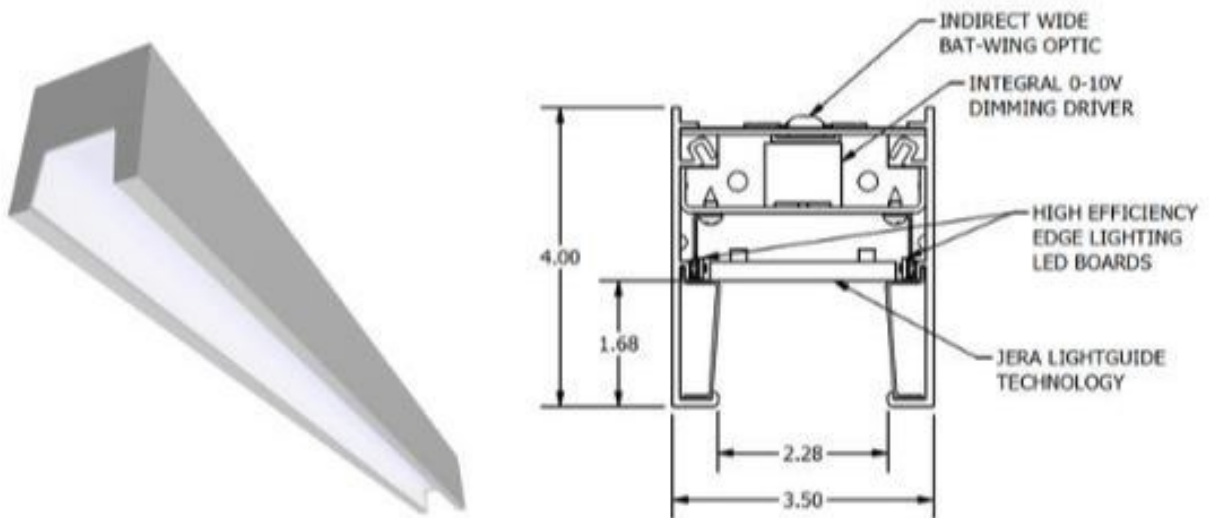
Text and images above from [Cooper](#)

NEW! PMC LIGHTING JERA 2

PMC Lighting introduces JERA 2 which expands our innovative lighting collection and brings modern style to modern spaces.

In addition to the suspended mounting styles of the first iteration, JERA 2 is able to be mounted *Surface, T-Grid, Flanged for Plaster and Flanged for Trimless Mud-in*, extending the JERA line for use in more spaces.

DIRECT/INDIRECT ADJUSTABLE AIRCRAFT



AVAILABLE MOUNTING STYLES



ADJUSTABLE AIRCRAFT



PENDANT SWIVEL PENDANT



SURFACE



T-GRID



FLANGED PLASTER FLANGED TRIMLESS

NEW! ATLANTIC ALTURA CYLINDERS

With a sturdy handspun aluminum housing, this cylinder family boasts a durable textured powder coat finish. Select cylinders offer several beam angle options for creating the optimal lighting design. Pendant fixtures feature a slim ½" mounting stem with a swivel canopy that self-adjusts up to 45°. An optional fixed position flat canopy presents minimal visual distraction with its sleek ¼" profile. Secured magnetically, it eliminates visible fasteners. A field-cut kit (also optional) makes custom lengths and adjustments simple during installation.

Altura cylinders are available in 2", 3", 4", 5", and 6" diameters with surface, pendant, and wall mounting options.



Text and images above from [Atlantic Lighting](#)

FRIDAY FUNNY

Quite possibly the greatest Furniture store name, ever...



*Are you following us on LinkedIn?
Check out our page for even more
great lighting products and news
from Illumination Systems Arizona!*

Subscribe

Past Issues

Copyright © 2022 Illumination Systems Arizona All rights reserved.

Our mailing address is:

4100 E Broadway
Suite 150
Phoenix, AZ 85040
602-715-0506

Want to change how you receive these emails?
You can [update your preferences](#) or [unsubscribe from this list](#).

Illumination Systems Arizona values your privacy. We do not collect or sell visitor information to third-parties.

This email was sent to <<Email Address>>

[why did I get this?](#) [unsubscribe from this list](#) [update subscription preferences](#)

Illumination Systems Arizona · 4100 E Broadway · Unit 150 · Phoenix, AZ 85040 · USA

